




MultiCarrier 2712 | Workboat

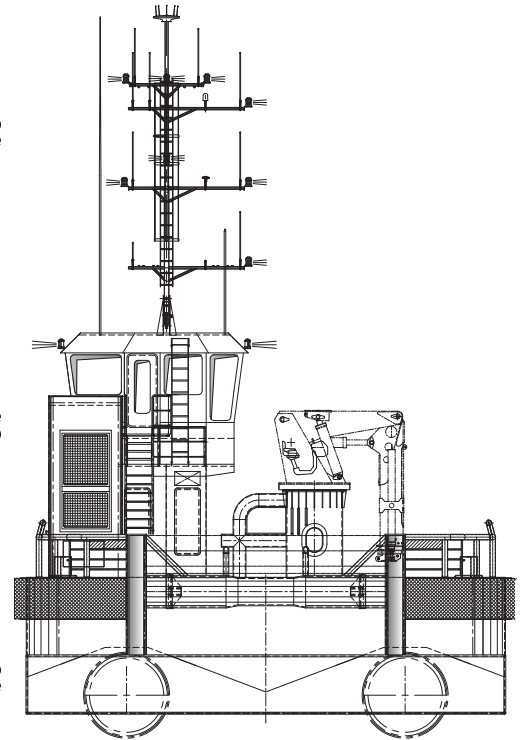
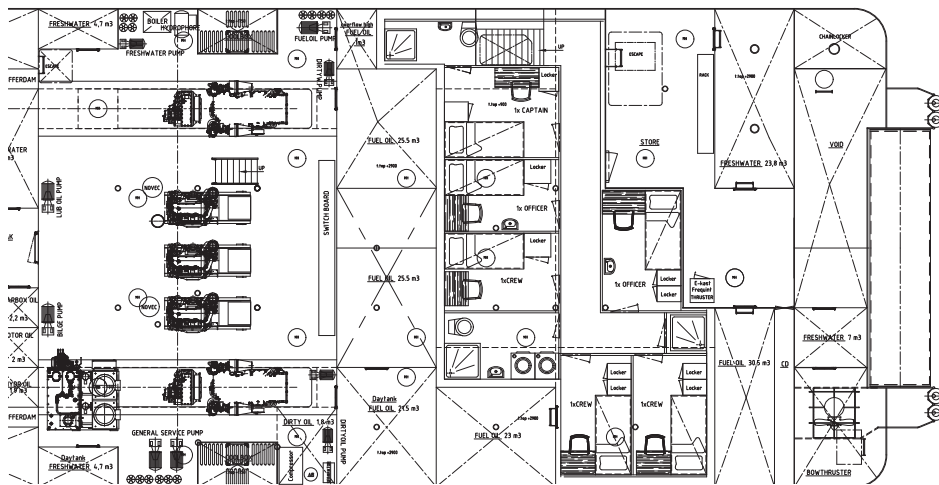
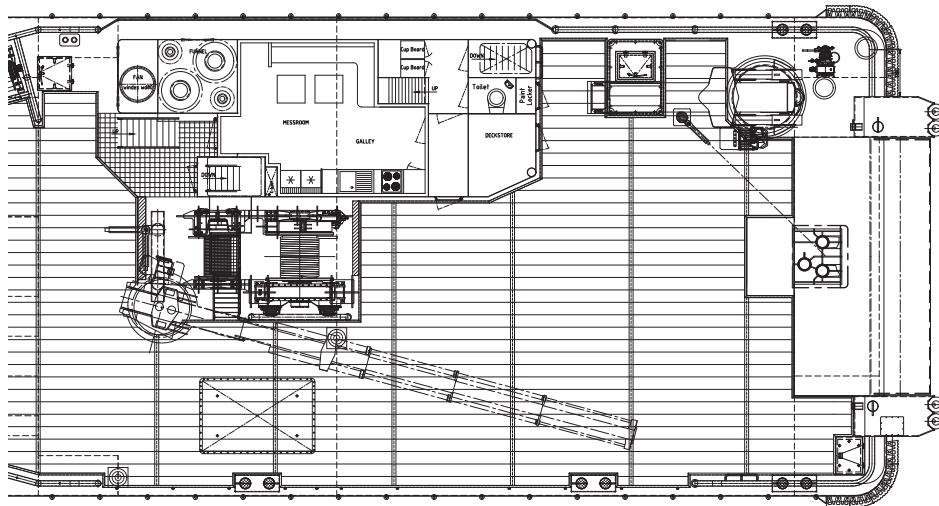
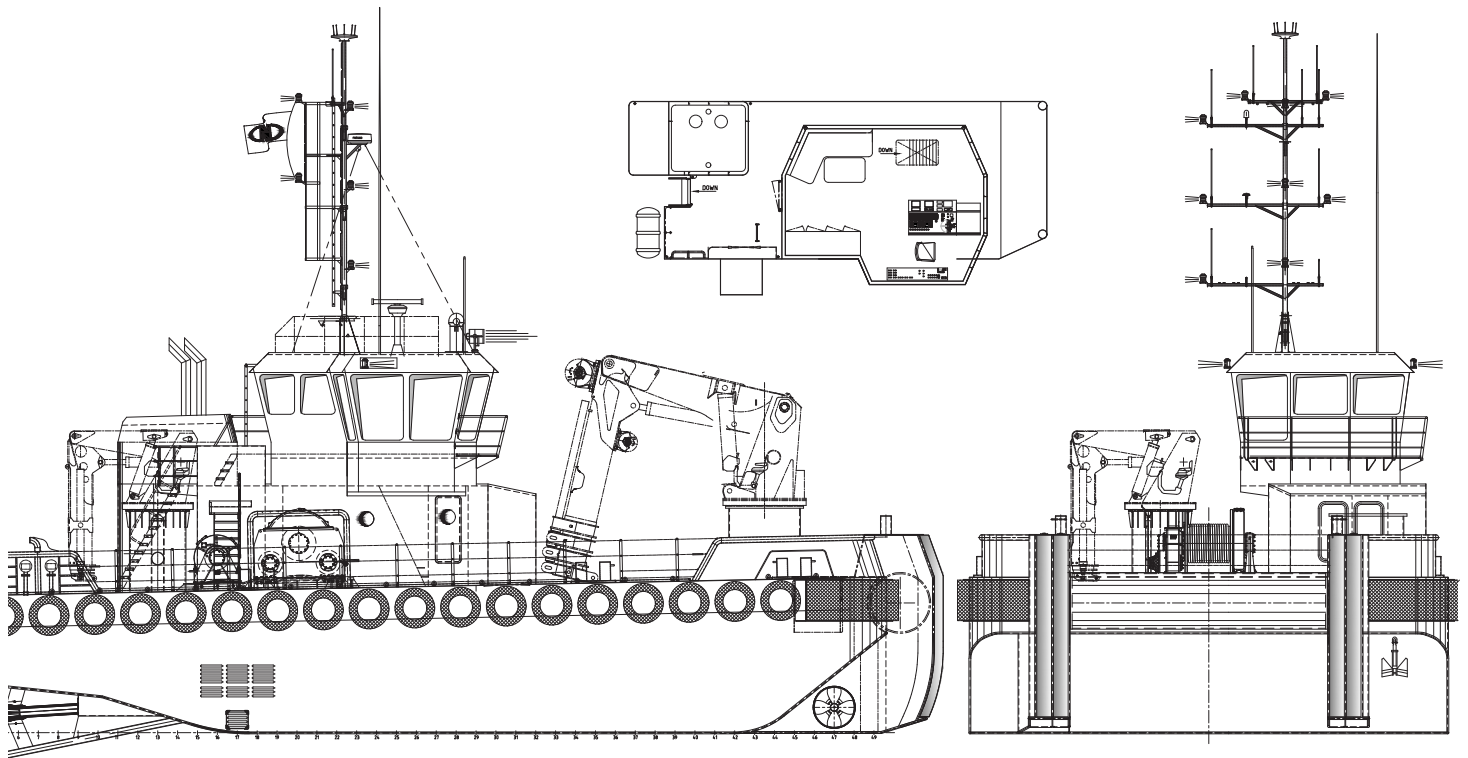


The robust, efficient and flexible design of the MultiCarrier makes it one of the best vessels for anchor handling, dredging support and survey activities. The MultiCarrier can be adapted to perfectly fit any project within a short time.



CLASSIFICATION	Bureau Veritas I  HULL • MACH • AUT-UMS, Unrestricted Navigation, Multi-Purpose / Special Service GMDSS Area A2
DIMENSIONS	
LENGTH O.A.	27,00 meters
BREADTH MLD.	12,00 meters
DEPTH AT SIDE	3,40/3,90 meters
DRAFT	3,00 meters
GROSS TONNAGE	290
NET TONNAGE	86
RULE LENGTH	23,99 meters
PERFORMANCES	
SPEED	9 knots
BOLLARD PULL	35 tons
PROPULSION	
MAIN ENGINES	2x Caterpillar C32 ACERT
TOTAL POWER	1940 kW at 1800 RPM
PROPELLERS	1850 mm diameter in nozzle
AUXILIARIES	
GENERATOR SETS	3x Caterpillar C9
TOTAL E-POWER	600 kW
HYDRAULIC POWER PACK	3x 90 kW
BOW THRUSTER	Tunnel thruster in SB pushbow

TANKS	
FUEL OIL	126,0 m ³
FRESH WATER	82,2 m ³
DECK LAY-OUT	
ANCHOR HANDLING WINCH	125 tons holding force
PULLING FORCE	100 tons at 1 st layer
HAULING SPEED	9m/min – 18m/min
TOWING WINCH	65 tons holding force
PULLING FORCE	50 tons at 1 st layer
HAULING SPEED	7m/min – 21m/min
TUGGER WINCH	15 tons at 1 st layer
DECK CRANE FORWARD	Heila HLRM 280-3SL
DECK CRANE AFT	Heila HLRM 140-3S
DECK	Azobé deck covering
TOWING HOOK	Mampaey 45 tons SWL
TOWING PINS	Aft ship: manual set, fore ship: hydraulic set + chain stopper
FENDERING	Tire- and M-fendering on the side, pushbow fendering fore- and aft ship
ACCOMMODATION	
FACILITIES	Airconditioned accommodation for up to 7 persons
OPTIONS	
4-POINT MOORING SYSTEM	4 hydraulic winches and anchors
SHARK JAWS	Triplex type
TOWING PINS	5 ton, hydraulic driven
DYNAMIC POSITIONING	Class 1



MultiCarrier 2712 | Workboat

For more information, please contact us on:

T +31 (0)184 621423

E info@neptunemarine.com

W www.neptunemarine.com

Version: V.01

