



MultiTug 3210 | Tugboat

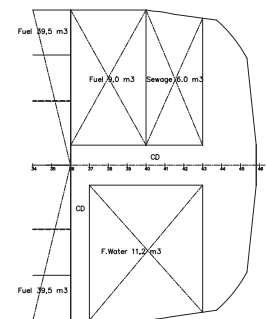
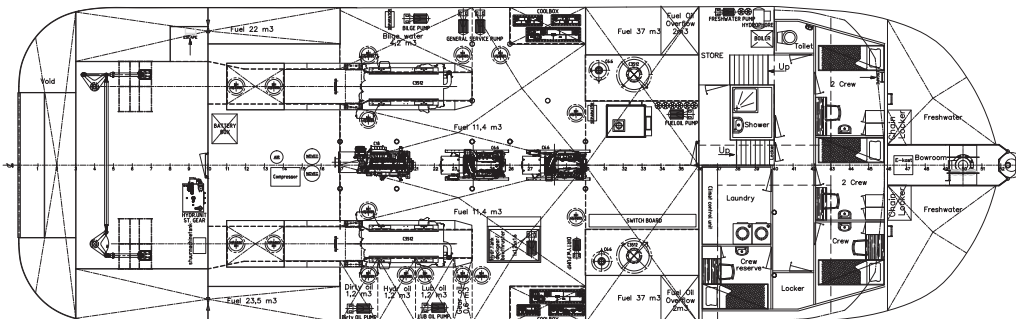
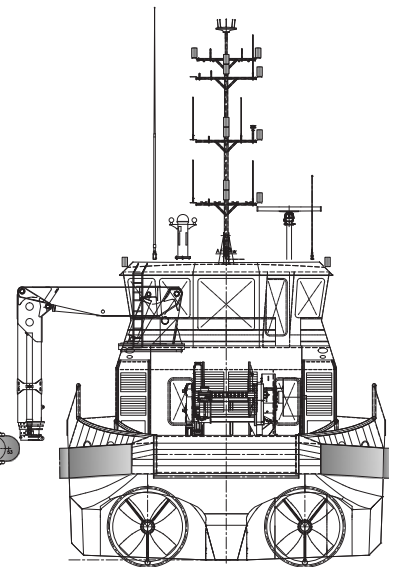
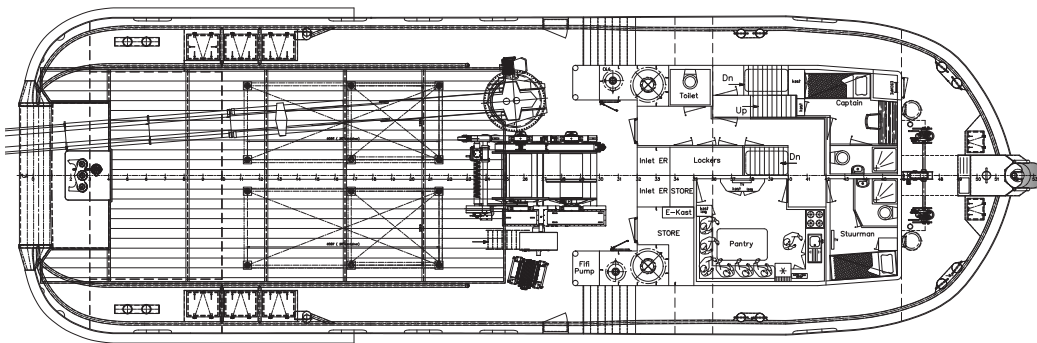
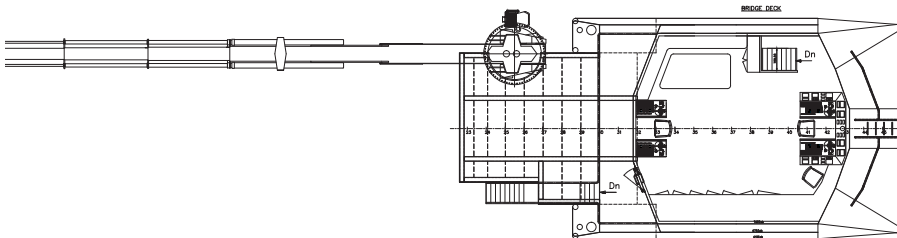
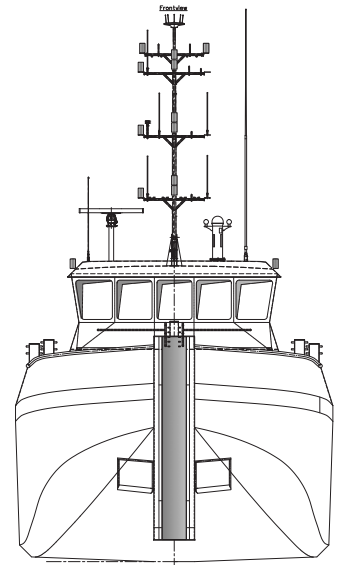
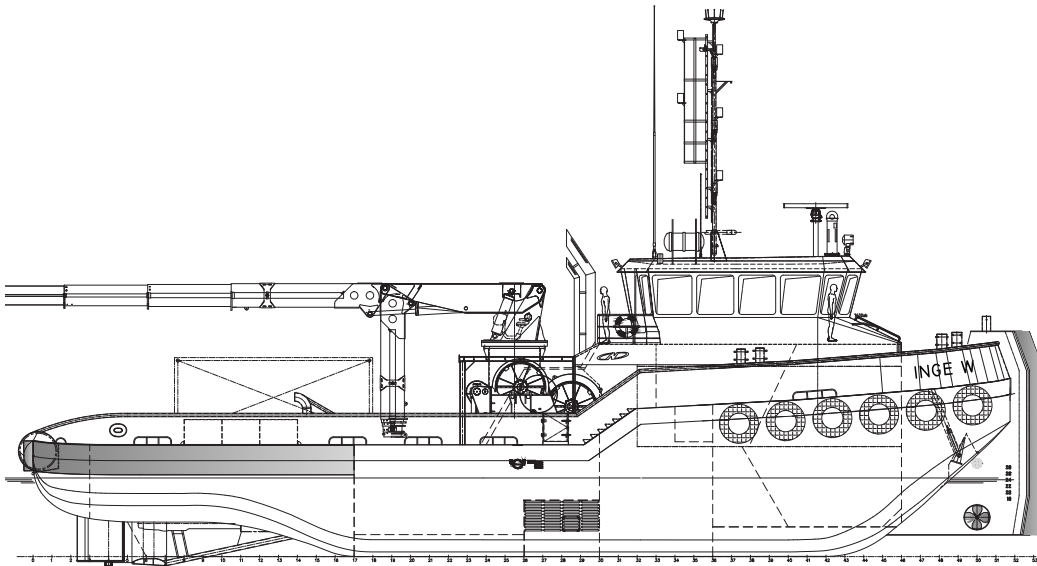


Multi Tugs have proven their versatility and robustness at sea, over the years. The maximum free deck space for this type of multipurpose tugboat offers many possibilities for all kinds of operations including towing, anchor handling, dredging support and wind farm support.



CLASSIFICATION	Bureau Veritas I ✘ HULL • MACH • AUT-UMS, TUG, Unrestricted Navigation, GMDSS Area A3
DIMENSIONS	
LENGTH O.A.	32,20 meters
BREADTH MLD.	10,00 meters
DEPTH AT SIDE	3,55 meters
DRAFT	2,60 meters
GROSS TONNAGE	327
NET TONNAGE	98
PERFORMANCES	
SPEED	10 knots
BOLLARD PULL	48 tons
PROPULSION	
MAIN ENGINES	2x Caterpillar 3512
TOTAL POWER	2850 kW at 1600 RPM
PROPELLERS	2200 mm in nozzle
AUXILIARIES	
GENERATOR SETS	2x Caterpillar C6.6
TOTAL E-POWER	286 kW

FUEL OIL	155 m ³
FRESH WATER	55 m ³
ANCHOR HANDLING / TOWING WINCH	Waterfall winch type
ANCHOR HANDLING	120 ton holding force
PULLING FORCE	100 ton at 1 st layer
HAULING SPEED	6,5m/min – 18m/min
TOWING WINCH	125 ton holding force
PULLING FORCE	64 ton at 1st layer
HAULING SPEED	10m/min – 27m/min
DECK CRANE	Heila HLRM 200-4S
DECK	Azobé deck covering
TOWING HOOK	Mampaey 55 tons SWL Disc
FENDERING	Tire- and optional D-fendering on the side, pushbow fendering fore ship, D-fendering aft ship
FACILITIES	Airconditioned accommodation for up to 10 persons
TUGGER WINCH	15 ton at 1st layer
TOWING PINS	Aft ship set + chain stopper
ICE CLASS	Maximum up to ice class 1B



MultiTug 3210 | Tugboat

For more information, please contact us on:
 T +31 (0)184 621 423 E info@neptunemarine.com W www.neptunemarine.com
 Version: V.01

